

BLOWER PACKAGES



www.truckblower.com | info@truckblower.com | +1 (800) 471-8769

All-in-one Dry Bulk Stationary Blower Packages, factory built, turn-key, convenient to mount on Pneumatic Dry Bulk Tankers, Storage Pigs and Stand Alone.



MADE IN THE USA
BUILT FOR THE LONG HAUL

Powered By:



- P857 or P1057 Positive Displacement Blower
- Pressure or Vacuum Operation
- Stainless Steel or Steel Silencer
- Optional Discharge Temperature Gauge
- Optional Vacuum Monitoring Gauge
- Direct Drive DEUTZ® Td2.9 L4 Tier IV Diesel Engine
- Optional Fuel Tank
- Camlocks available in multiple sizes
- Capable of up to 20 PSIG.

BLOWER SPECIFICATIONS

P857 Performance Chart	PRESSURE PERFORMANCE & BRAKE HORSEPOWER						VACUUM PERFORMANCE & BRAKE HORSEPOWER					
	12 PSIG		16 PSIG		20 PSIG		12" of Hg.		16" of Hg.		17" of Hg.	
	CFM	BHP	CFM	BHP	CFM	BHP	CFM	BHP	CFM	BHP	CFM	BHP
1800	473	36	446	47	424	59	482	19	436	22	418	25
1900	510	38	480	50	460	63	520	20	475	25	460	27
2000	545	40	518	52	496	65	559	21	515	27	494	29
2100	580	42	555	55	530	69	595	22	545	28	530	30
2200	618	44	590	58	568	72	632	23	571	29	555	31
2300	645	46	625	60	605	75	665	24	610	30	695	33

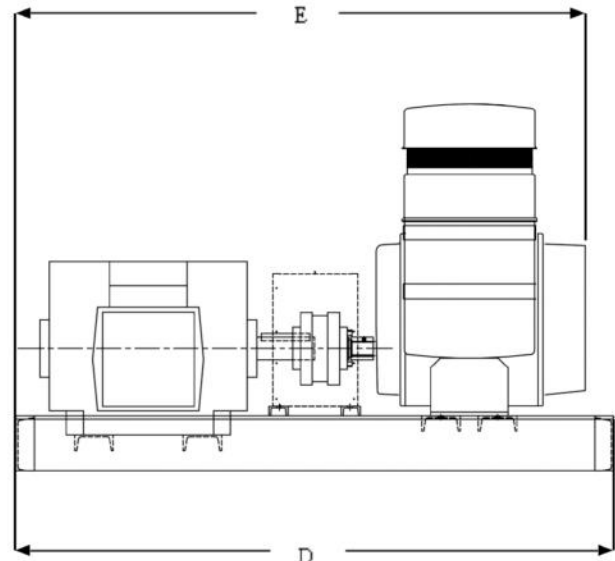
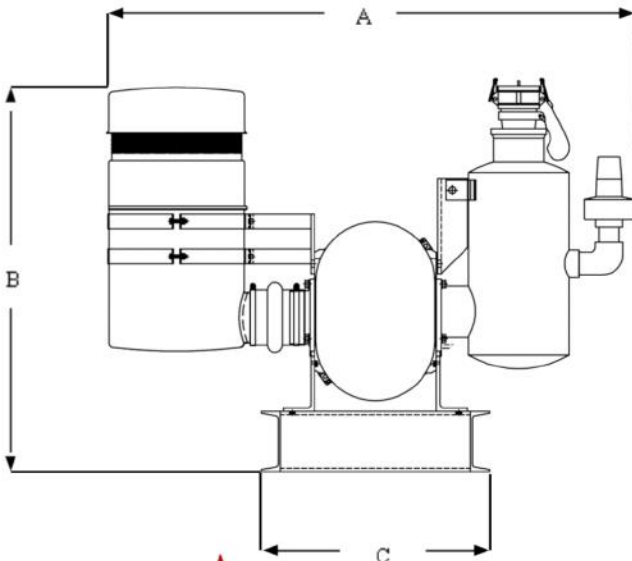


P1057 Performance Chart	PRESSURE PERFORMANCE & BRAKE HORSEPOWER						VACUUM PERFORMANCE & BRAKE HORSEPOWER					
	12 PSIG		16 PSIG		18 PSIG		12" of Hg.		16" of Hg.		17" of Hg.	
	CFM	BHP	CFM	BHP	CFM	BHP	CFM	BHP	CFM	BHP	CFM	BHP
1800	633	44	602	59	589	66	651	22	611	27	580	31
1900	679	47	648	62	635	70	697	23	657	29	626	32
2000	725	49	694	65	681	73	743	24	703	30	672	35
2100	771	52	740	69			789	25	749	32	718	36
2200	817	54	786	72			835	27	795	33	764	38
2300	863	57	832	75			881	28	841	35	810	39



DIMENSIONS

	Dimensions	A	B	C	D	E	Weight
Diesel Direct Drive	in.	52 1/2	43 1/16	27 7/8	63 1/4	64 1/8	2238 Lbs. (P857)
	mm.	1334	1094	708	1607	1629	2338 Lbs. (P1057)
Electric Direct Drive	in.	48 5/8	40	22 7/8	62	63 7/16	1869 Lbs. (P857)
	mm.	1235	1016	581	1575	1611	2113 Lbs (P1057)



Paragon Tank Truck Equipment LLC,
 2111 US Hwy 411 NE
 Cartersville, Georgia 30121
 Tel 770-387-3820 | Toll Free 800-471-8769 | Fax 770-387-3824
www.truckblower.com | www.paragondirect.com | info@paragondirect.com
 Copyright © 2016 Paragon Tank Truck Equipment LLC